

SINGER
14U234B

PARTS LIST

SINGER*

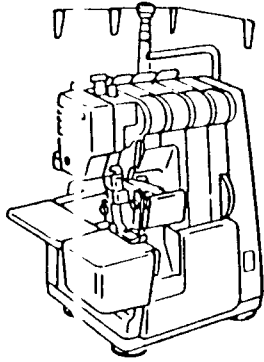
14U234B

From the library of: Diamond Needle Corp

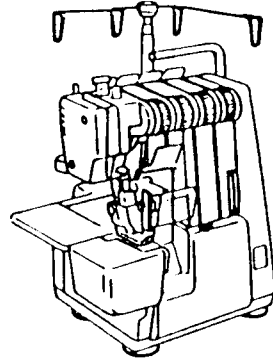
* A Trademark of THE SINGER COMPANY
Copyright ©1990 SINGER SEWING MACHINE COMPANY
All Rights Reserved Throughout The World

INDEX

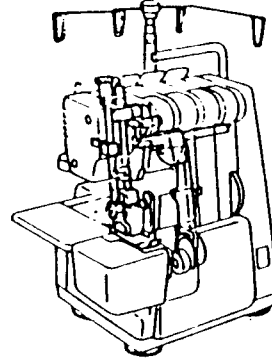
1



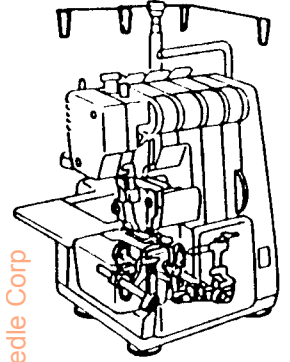
2



3

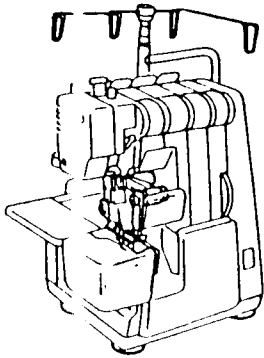


4

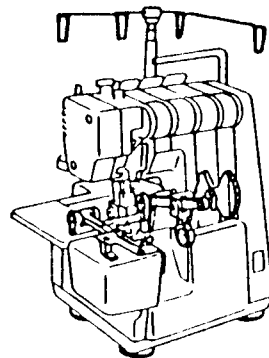


From the library of: Diamond Needle Corp

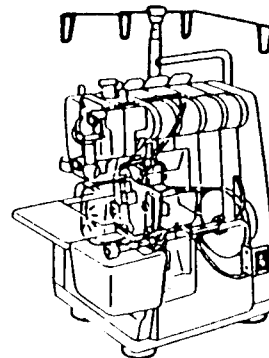
5



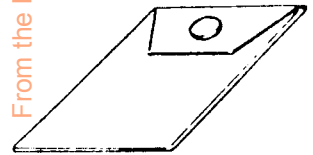
6



7

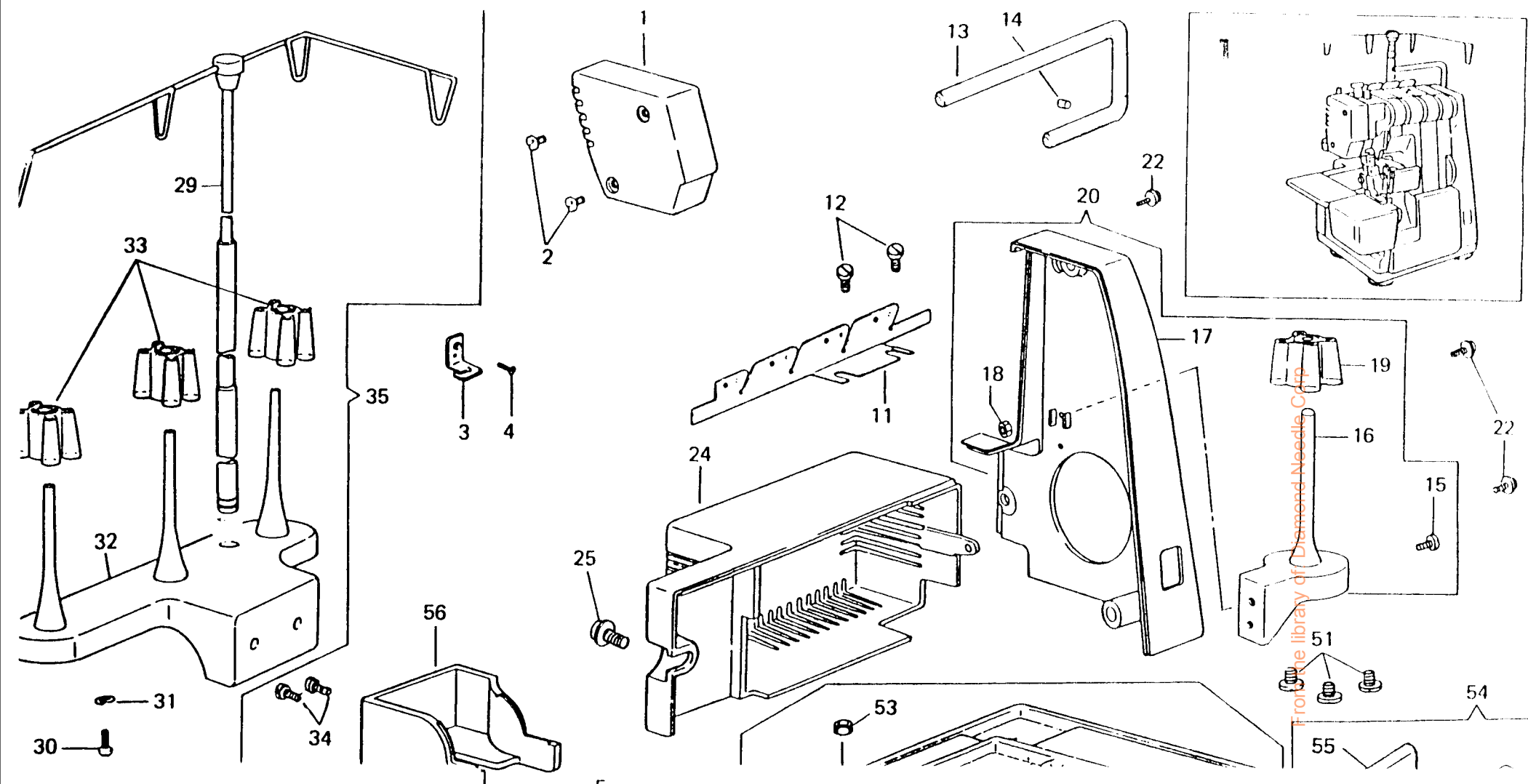


8

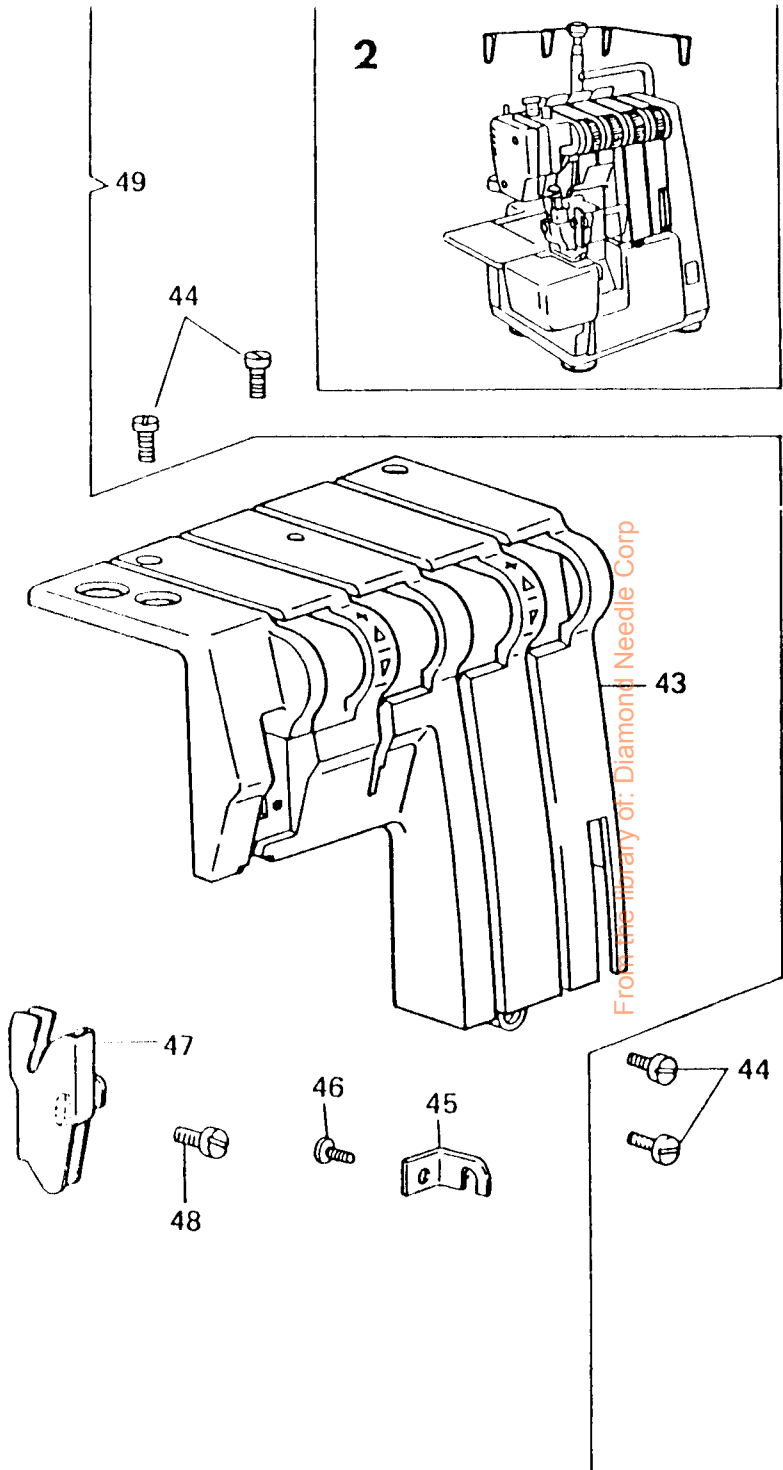
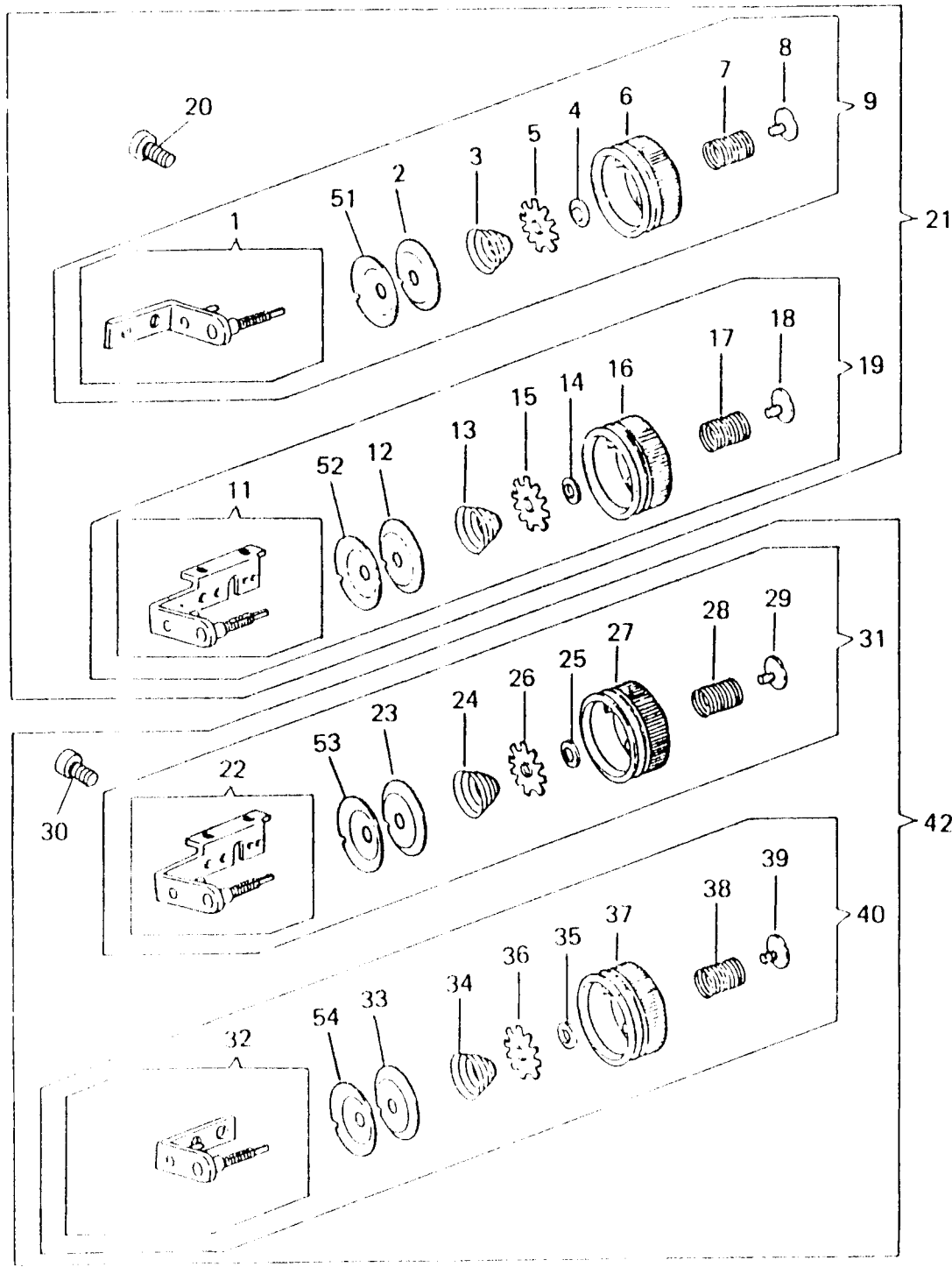


9

DIFFERENTIAL FEED



From the library of Diamond Needle Corp



2

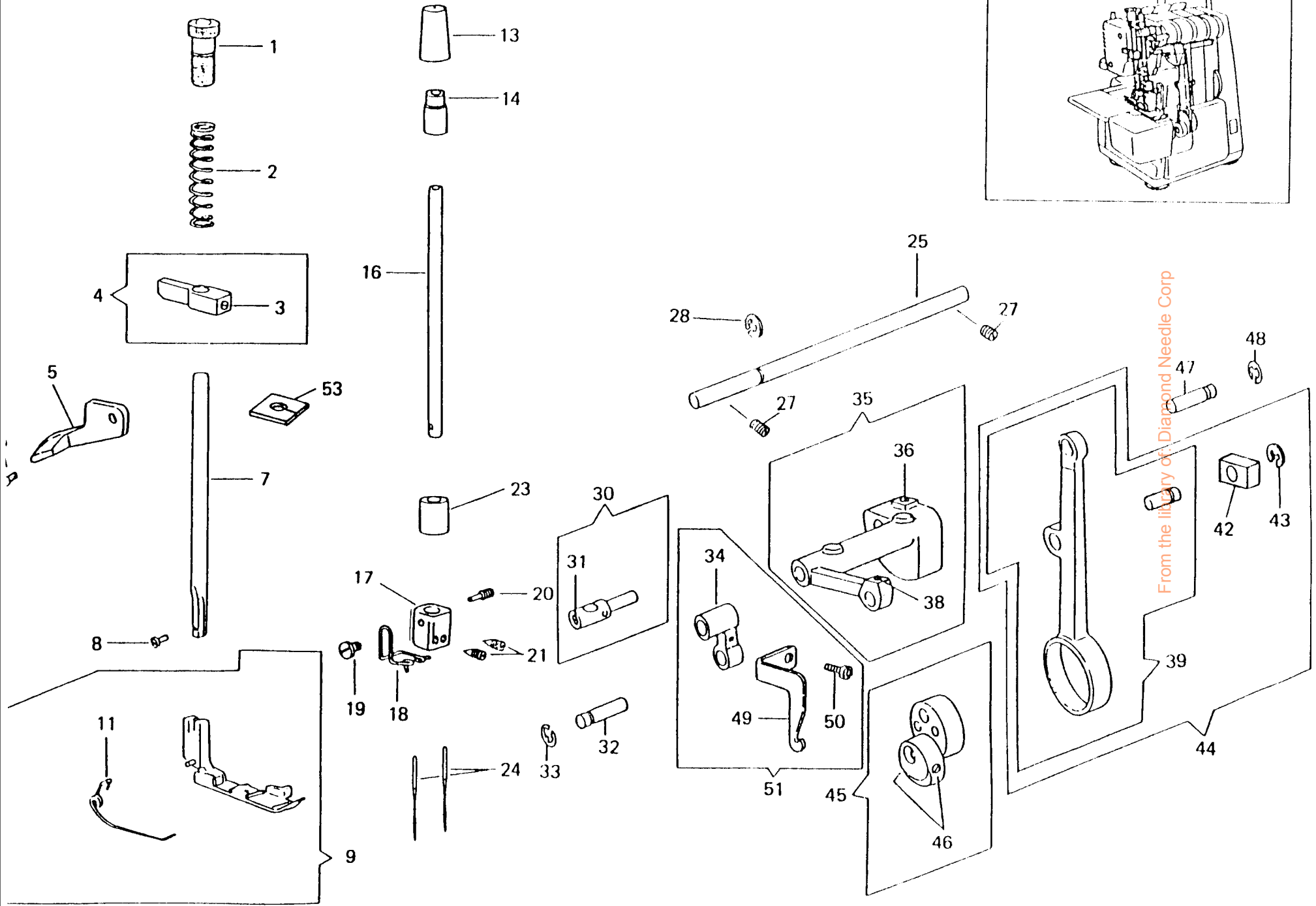
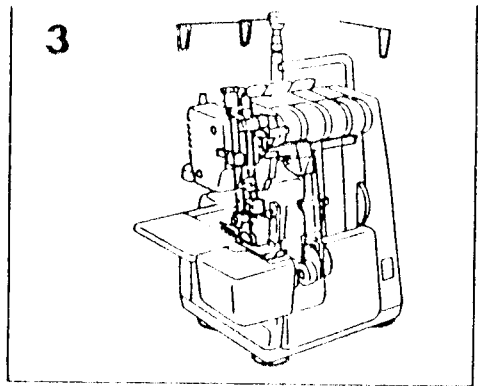
From the library of: Diamond Needle Corp

| | PART NO. | DESCRIPTION | | PART NO. | DESCRIPTION |
|----|------------|---|----|------------|--|
| 1 | 412735-002 | Light Cover | 39 | 546623 | Convertible Bed Plate Stud Retaining Ring(2) |
| 2 | 544212-072 | Light Cover Screw(2) | 41 | 546623 | Convertible Bed Plate Latch Retaining Ring |
| 3 | 412534 | Needle Thread Guide | 42 | 376786 | Convertible Bed Plate Latch Spring |
| 4 | 544258 | Needle Thread Guide Screw | 43 | 381874-451 | Convertible Bed Plate Latch |
| | | | 44 | 544203-001 | Convertible Bed Plate Stud-Screw |
| | | | 45 | 412682 | Cylinder Cover Spring |
| | | | 46 | 412697 | Cylinder Cover Spring Clamping Screw |
| | | | 47 | 412706-002 | Cylinder Cover Comp. |
| | | | 48 | 410208 | Machine Base Cushion(4) |
| 11 | 410209 | Thread Guide Plate | 49 | 543803-004 | Machine Base Cushion Screw Washer(4) |
| 12 | 544212-001 | Thread Guide Plate Set Screw(2) | 50 | 544218-002 | Machine Base Cushion Screw(4) |
| 13 | 410202 | Handle | 51 | 544214-005 | Machine Base Screw(3) |
| 14 | 544204-005 | Handle Set Screw | 52 | 376794-002 | Machine Base Comp. |
| 15 | 544212-004 | Thread Unwinder (small) Screw | 53 | 541166-001 | Machine Base Cushion Nut(4) |
| 16 | 376779-002 | Thread Unwinder (small) | 54 | 376823-021 | Looper Cover Comp. |
| 17 | 412750-002 | Pulley Cover | 55 | 376825-022 | Looper Cover |
| 18 | 541165-001 | Thread Unwinder (small) Screw Nut | 56 | 412736-002 | Transformer Cover |
| 19 | 546893 | Spool Holder (cone holder) | 57 | 544270-001 | Transformer Cover Screw(2) |
| 20 | 412766-002 | Pulley Cover Comp. | 58 | 376717 | Looper Cover Hinge Spring |
| | | | 59 | 410239 | Looper Cover Hinge Pin |
| 22 | 544270-001 | Pulley Cover Screw(3) | 61 | 543804-003 | Cylinder Cover Spring Clamping Screw Washer |
| 24 | 410248-003 | Motor Cover | 63 | 376763-002 | Threading Chart |
| 25 | 544270-001 | Motor Cover Screw | 65 | 376793-002 | Machine Base |
| 29 | 412519 | Thread Unwinder Thread Guide Rod Comp. | | | |
| 30 | 544212-003 | Thread Unwinder Thread Guide Rod Screw | | | |
| 31 | 543805-003 | Thread Unwinder Thread Guide Rod Screw Washer | | | |
| 32 | 410389-902 | Thread Unwinder Comp. | | | |
| 33 | 546893 | Spool Holder(3) | | | |
| 34 | 544213-001 | Thread Unwinder Comp.Screw(2) | | | |
| 35 | 376834-002 | Thread Unwinder Comp. | | | |
| 36 | 376781-002 | Convertible Bed Plate Comp. | | | |
| 37 | 376780-902 | Convertible Bed Plate (body) | | | |
| 38 | 376785 | Convertible Bed Plate Stud | | | |

From the library of: Diamond Needle Co.

| | PART NO. | DESCRIPTION | | PART NO. | DESCRIPTION |
|----|------------|---|----|------------|--|
| 1 | 376818 | One Turn Tension Dial Bracket (right) Comp. | 39 | 544265 | Tension Dial Presser Spring Screw |
| 2 | 410226 | Tension Disc | 40 | 376585 | One Turn Tension Dial Comp. (N) (right) (for 2 needle) |
| 3 | 376620 | Tension Disc Spring | 41 | 412697-002 | Tension Dial Comp. Screw (2) |
| 4 | 412696 | Washer | 42 | 376598 | One Turn Tension Dial Comp. (N) (for 2 needle) |
| 5 | 370289 | Tension Disc Spring Nut | 43 | 412754-006 | Front Cover (body) Comp. (for 2 needle) |
| 6 | 376582-460 | Tension Dial Comp. | 44 | 544212-073 | Front Cover Screw (4) |
| 7 | 410230 | Tension Dial Presser Spring | 45 | 412531 | Front Cover Thread Guide (small) |
| 8 | 544265 | Tension Dial Presser Spring Screw | 46 | 412697-002 | Front Cover Thread Guide (small) Screw |
| 9 | 376587 | One Turn Tension Dial Comp. (L) (right) | 47 | 412751 | Front Cover Thread Guide (for 2 needle) |
| 10 | 412697-002 | Tension Dial Comp. Screw (2) | 48 | 412697 | Front Cover Thread Guide Screw |
| 11 | 376817 | One Turn Tension Dial Bracket (left) Comp. | 49 | 376829-003 | Front Cover Comp. (for 2 needle) |
| 12 | 410226 | Tension Disc | | | |
| 13 | 376619 | Tension Disc Spring | 51 | 376566 | Tension Disc (with Dent) |
| 14 | 412696 | Washer | 52 | 376566 | Tension Disc (with Dent) |
| 15 | 370289 | Tension Disc Spring Nut | 53 | 376566 | Tension Disc (with Dent) |
| 16 | 376582-459 | Tension Dial Comp. | 54 | 376566 | Tension Disc (with Dent) |
| 17 | 410230 | Tension Dial Presser Spring | | | |
| 18 | 544265 | Tension Dial Presser Spring Screw | | | |
| 19 | 376586 | One Turn Tension Dial Comp. (L) (left) | | | |
| 20 | 544212-001 | Tension Dial Bracket (left) Set Screw | | | |
| 21 | 376597 | One Turn Tension Dial Comp. (L) | | | |
| 22 | 376817 | One Turn Tension Dial Bracket (left) Comp. | | | |
| 23 | 410226 | Tension Disc | | | |
| 24 | 412680 | Tension Disc Spring | | | |
| 25 | 412696 | Washer | | | |
| 26 | 370289 | Tension Disc Spring Nut | | | |
| 27 | 376582-461 | Tension Dial Comp. | | | |
| 28 | 410230 | Tension Dial Presser Spring | | | |
| 29 | 544265 | Tension Dial Presser Spring Screw | | | |
| 30 | 544212-001 | Tension Dial Bracket (left) Set Screw | | | |
| 31 | 376583 | One Turn Tension Dial Comp. (N) (left) | | | |
| 32 | 370245 | One Turn Tension Dial Bracket (right) Comp. | | | |
| 33 | 410226 | Tension Disc | | | |
| 34 | 412680 | Tension Disc Spring | | | |
| 35 | 412696 | Washer | | | |
| 36 | 370289 | Tension Disc Spring Nut | | | |
| 37 | 376582-462 | Tension Disc Comp. | | | |
| 38 | 410230 | Tension Dial Presser Spring | | | |

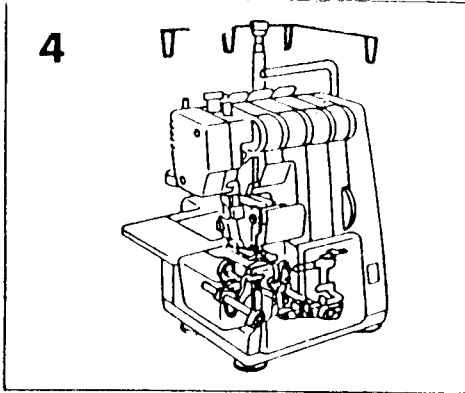
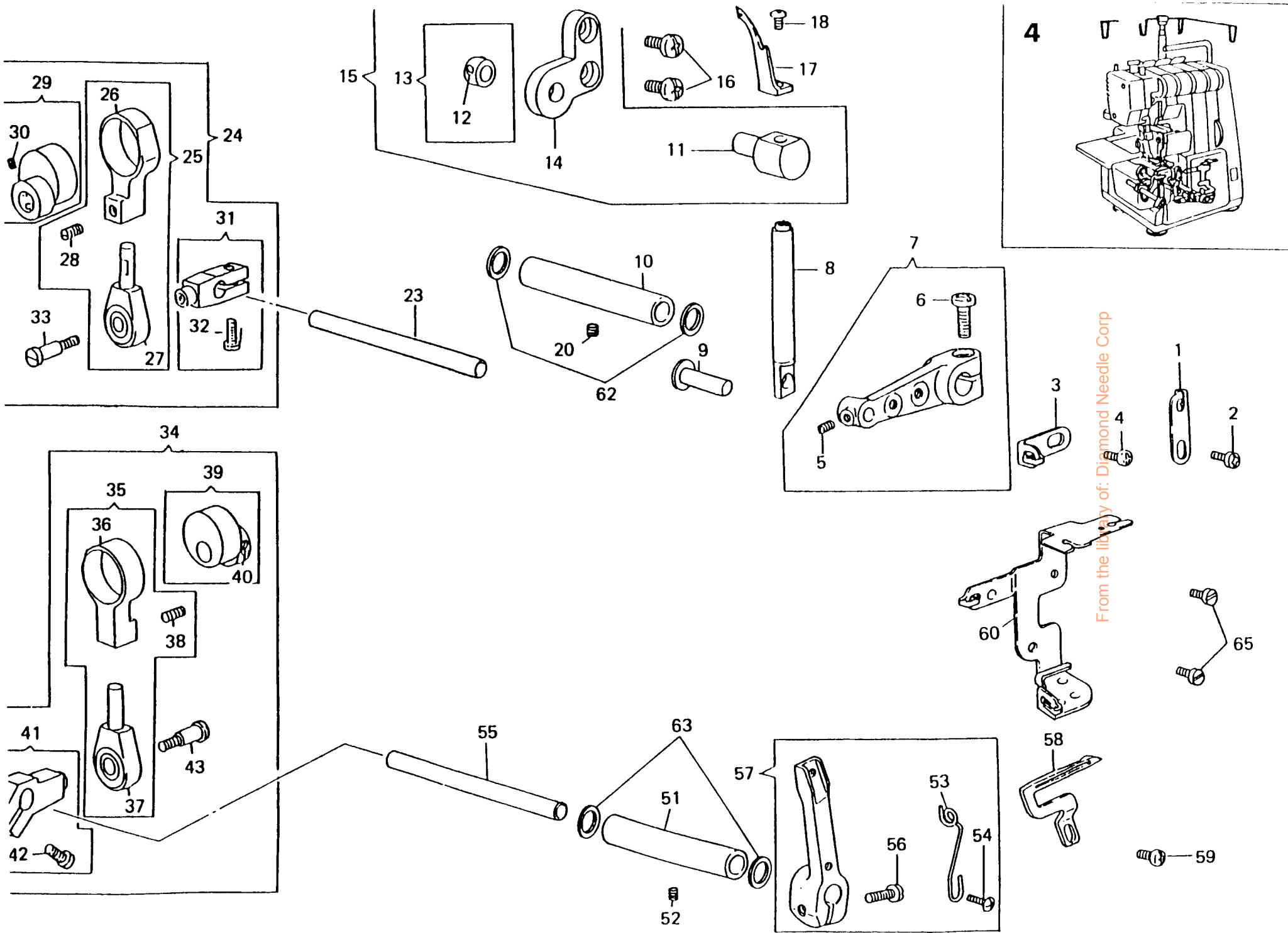
From the library of: Diamond Needle Corp



From the library of Diamond Needle Corp

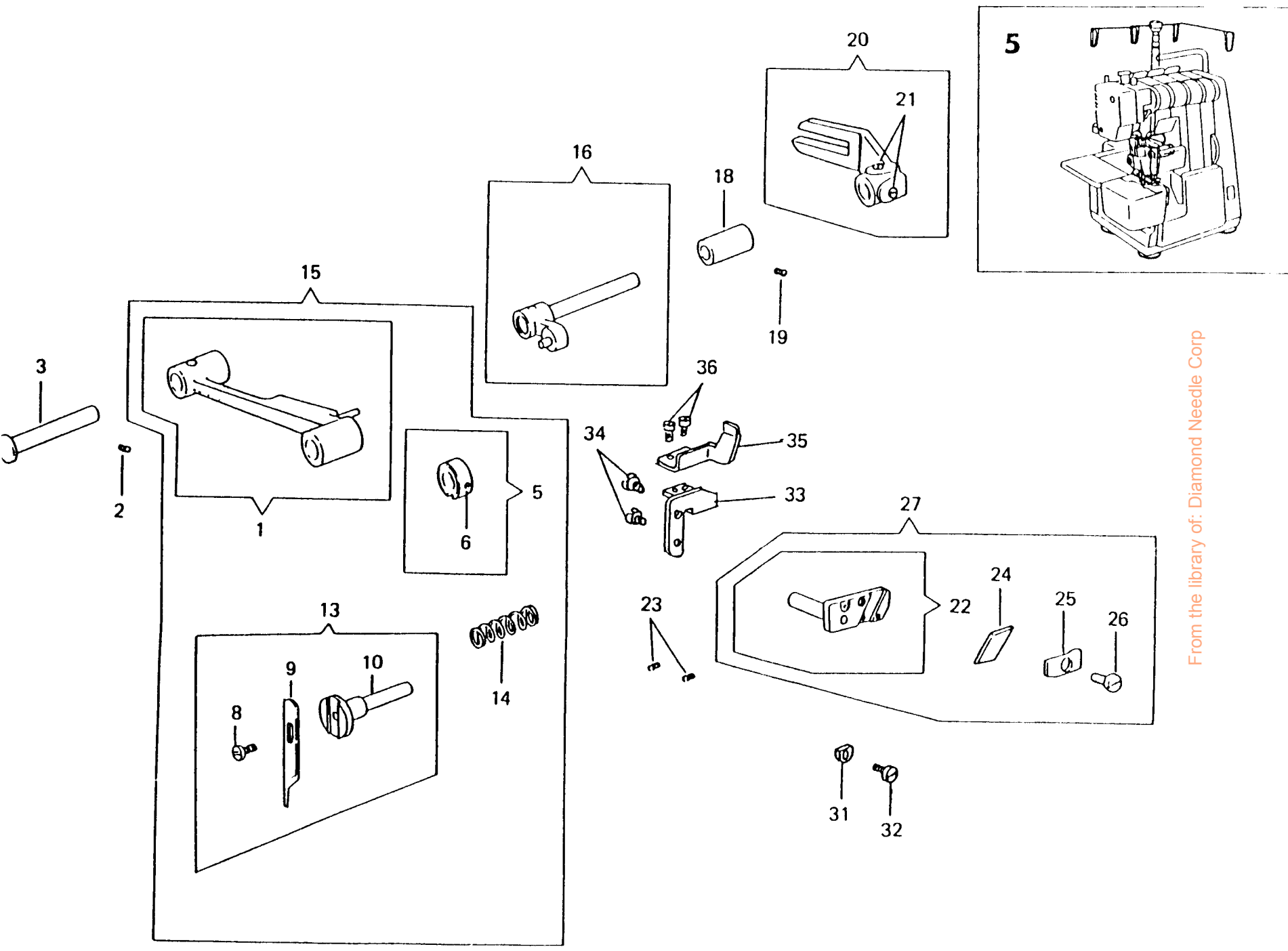
| PART NO. | DESCRIPTION | PART NO. | DESCRIPTION |
|----------|--|----------|--|
| 1 | 544262-101 Presser Regulating Thum Screw | 39 | 370243 Needle Bar Crank Rod Comp. |
| 2 | 410355 Presser Bar Spring | | |
| 3 | 544204-001 Presser Bar Guide Bracket Screw | | |
| 4 | 410352 Presser Bar Guide Bracket Comp. | 42 | 511030 Needle Bar Crank Rod Slide Block |
| 5 | 412787-100 Presser Bar Lifter | 43 | 543801-006 Needle Bar Crank Rod Slide Block Pin Retaining Ring |
| 6 | 544441 Presser Bar Lifter Screw Stud | 44 | 370242 Needle Bar Crank Rod Comp. |
| 7 | 410351 Presser Bar | 45 | 410329 Needle Bar Eccentric Cam Comp. |
| 8 | 504063-451 Presser Foot Screw | 46 | 544204-002 Needle Bar Eccentric Cam Set Screw(2) |
| 9 | 376827 Presser Foot Comp. | 47 | 410340 Needle Bar Crank Rod Pin |
| | | 48 | 543801-006 Needle Bar Crank Rod Pin Retaining Ring |
| 11 | 410348 Presser Foot Spring | 49 | 370274 Striker |
| | | 50 | 544211-051 Striker Screw |
| 13 | 410322-100 Needle Bar Bushing (upper) Cap | 51 | 370275 Needle Bar Connecting Link Comp. |
| 14 | 410323 Needle Bar Bushing (upper) | | |
| | | 53 | 376567 Presser Bar Felt |
| 16 | 376844 Needle Bar | | |
| 17 | 376520 Needle Clamp | | |
| 18 | 376848 Needle Bar Thread Guide | | |
| 19 | 544211-059 Needle Bar Thread Guide Set Screw | | |
| 20 | 374102 Needle Bar Set Screw | | |
| 21 | 374364 Needle Set Screw (2) | | |
| | | | |
| 23 | 410324 Needle Bar Bushing (lower) | | |
| 24 | N2054 42-14 Needle (#14) (2) | | |
| 25 | 376814 Arm Shaft | | |
| | | | |
| 27 | 544204-002 Arm Shaft Set Screw(2) | | |
| 28 | 543801-007 Arm Shaft Retaining Ring | | |
| | | | |
| 30 | 410325 Needle Bar Connecting Stud Comp. | | |
| 31 | 544044 Needle Bar Connecting Stud Screw | | |
| 32 | 410340 Needle Bar Connecting Link Pin | | |
| 33 | 543801-006 Needle Bar Connecting Link Pin Retaining Ring | | |
| 34 | 410327 Needle Bar Connecting Link | | |
| 35 | 412707-001 Needle Bar Crank Comp. | | |
| 36 | 544203-001 Needle Bar Crank Rod Pin Screw | | |
| | | | |
| 38 | 544203-001 Needle Bar Connecting Link Pin Screw | | |

From the library of: Diamond Needle Corp



From the library of: Diamond Needle Corp

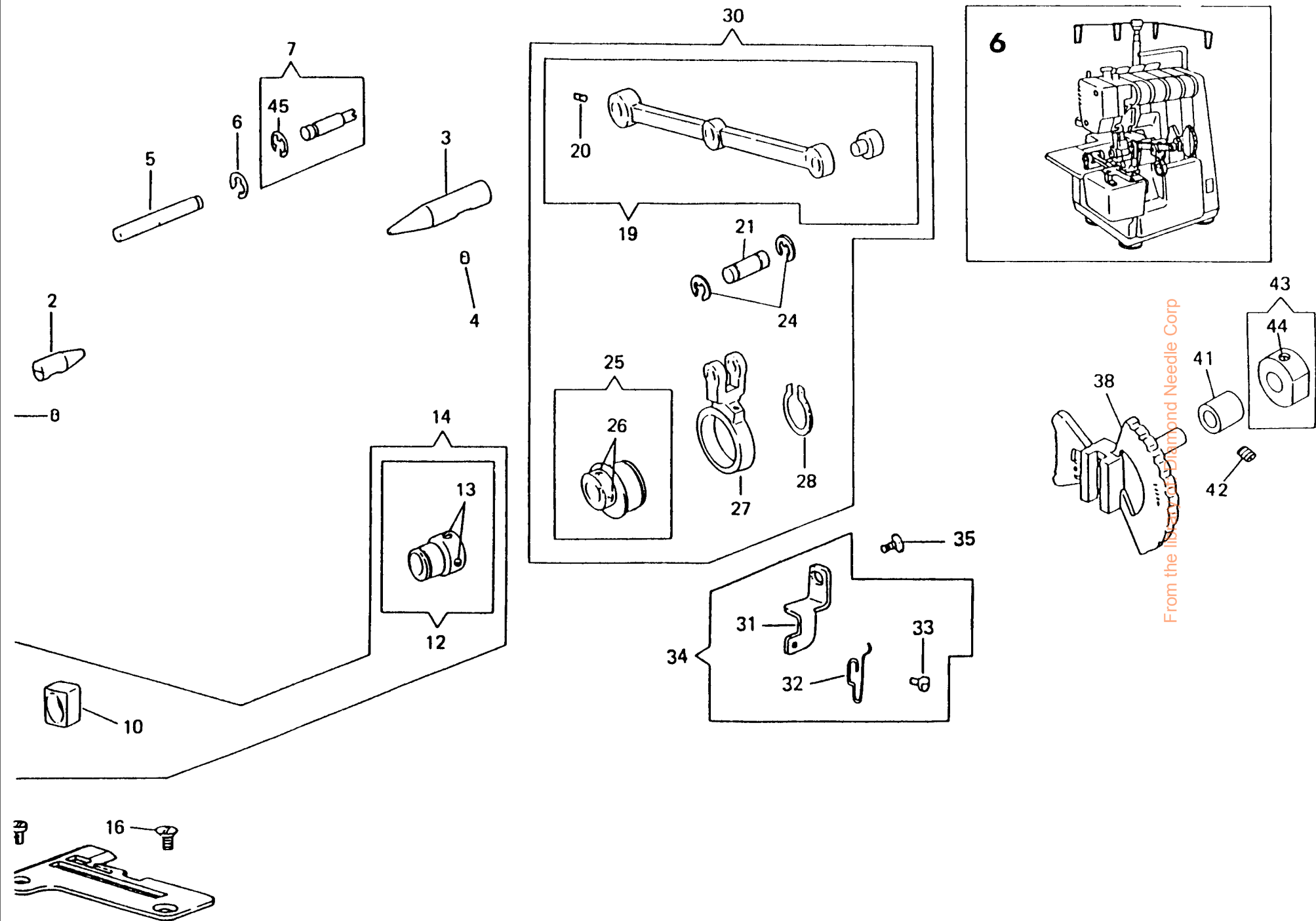
| | PART NO. | DESCRIPTION | | PART NO. | DESCRIPTION |
|----|------------|--|----|------------|---|
| 1 | 410455 | Right Looper Thread Guide | 39 | 376701 | Looper Cam Comp. |
| 2 | 544212-001 | Right Looper Thread Guide Set Screw | 40 | 544204-001 | Looper Cam Set Screw(2) |
| 3 | 410438 | Left Looper Thread Guide | 41 | 412798 | Left Looper Shaft Lever Comp. |
| 4 | 544212-001 | Left Looper Thread Guide Set Screw | 42 | 414750-001 | Left Looper Shaft Lever Screw |
| 5 | 544203-001 | Right Looper Retainer Driving Lever Stud Set Screw | 43 | 374136 | Screw Stud |
| 6 | 544213-053 | Right Looper Retainer Driving Lever Clamping Screw | | | |
| 7 | 410436 | Right Looper Retainer Driving Lever Comp. | | | |
| 8 | 410435 | Right Looper Retainer | | | |
| 9 | 370290 | Right Looper Retainer Driving Stud | | | |
| 10 | 376799 | Right Looper Shaft Bushing | | | |
| 11 | 410429 | Right Looper Retainer Guide | | | |
| 12 | 544203-001 | Right Looper Retainer Guide Collar Screw(2) | | | |
| 13 | 410432 | Right Looper Retainer Guide Collar Comp. | 51 | 376798 | Left Looper Shaft Bushing |
| 14 | 370281 | Right Looper Retainer Guide Bracket | 52 | 544204-001 | Left Looper Shaft Bushing Set Screw |
| 15 | 370280 | Right Looper Retainer Guide Bracket Comp. | 53 | 410456 | Left Looper Holder Thread Guide |
| 16 | 544213-002 | Right Looper Retainer Guide Bracket Screw(2) | 54 | 544212-001 | Left Looper Holder Thread Guide Screw |
| 17 | 410434 | Right Looper | 55 | 376813 | Left Looper Shaft |
| 18 | 544413 | Right Looper Screw | 56 | 414750-001 | Left Looper Holder Clamping Screw |
| | | | 57 | 376838 | Left Looper Holder Comp. |
| 20 | 544204-001 | Right Looper Shaft Bushing Set Screw | 58 | 410452 | Left Looper |
| | | | 59 | 544211-052 | Left Looper Screw |
| | | | 60 | 376800-001 | Looper Thread Guide |
| 23 | 376813 | Right Looper Shaft | | | |
| 24 | 376707 | Right Looper Cam Rod Comp. | 62 | 542402 | Right Looper Shaft Bushing Thrust Washer(2) |
| 25 | 412793 | Looper Cam Rod Comp. | 63 | 542402 | Left Looper Shaft Bushing Thrust Washer(2) |
| 26 | 412794 | Looper Cam Rod | | | |
| 27 | 412795 | Rod End | | | |
| 28 | 544208-002 | Rod End Set Screw | 65 | 544212-001 | Looper Thread Guide Screw(2) |
| 29 | 376701 | Looper Cam Comp. | | | |
| 30 | 544204-001 | Looper Cam Set Screw(2) | | | |
| 31 | 412796 | Right Looper Shaft Lever Comp. | | | |
| 32 | 414750-001 | Right Looper Shaft Lever Screw | | | |
| 33 | 374136 | Screw Stud | | | |
| 34 | 376708 | Left Looper Cam Rod Comp. | | | |
| 35 | 412793 | Looper Cam Rod Comp. | | | |
| 36 | 412794 | Looper Cam Rod | | | |
| 37 | 412795 | Rod End | | | |
| 38 | 544208-002 | Rod End Set Screw | | | |



From the library of: Diamond Needle Corp

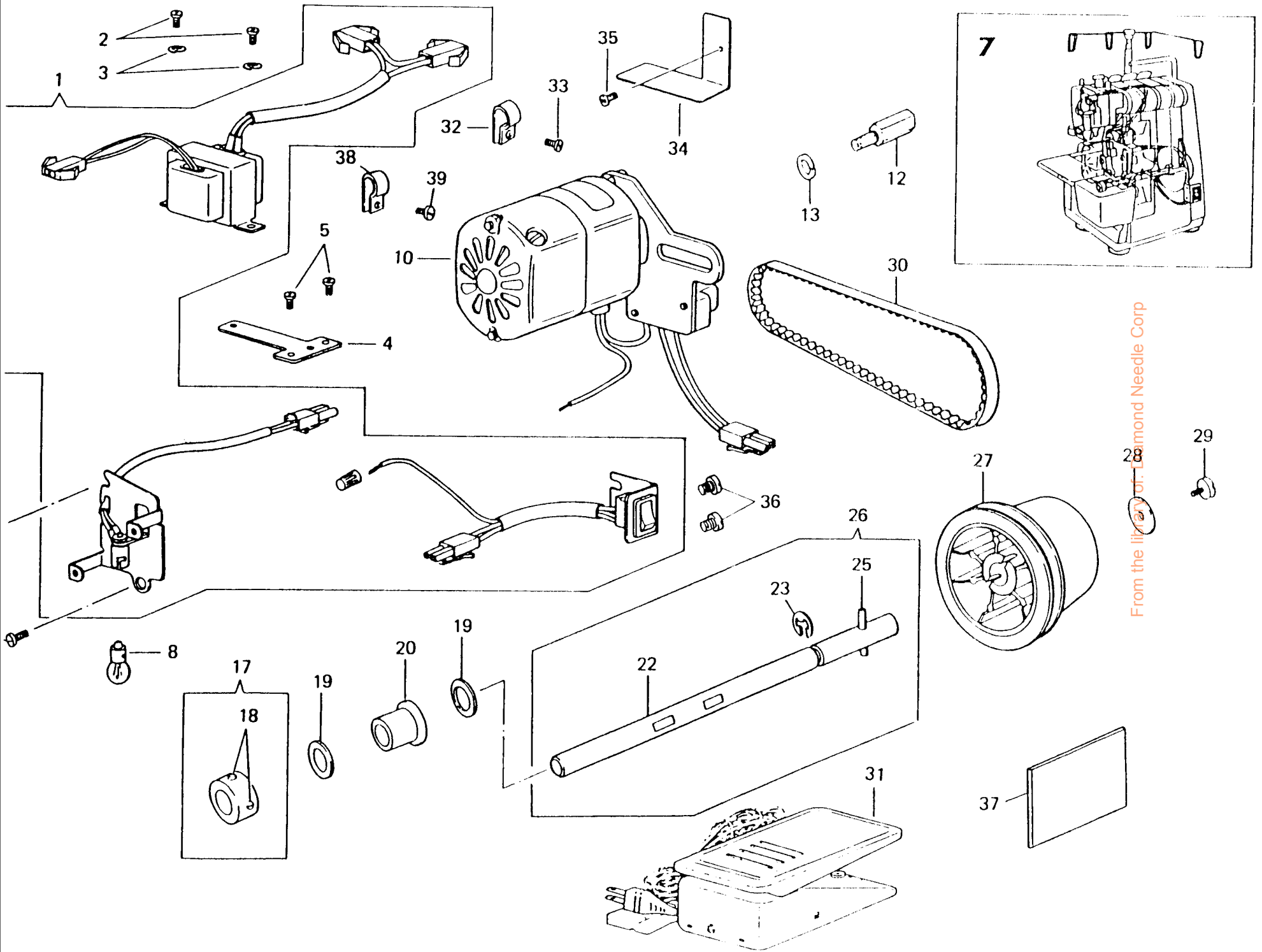
| | PART NO. | DESCRIPTION | | PART NO. | DESCRIPTION |
|----|------------|---|--|----------|-------------|
| 1 | 376842 | Knife (movable) Lever Comp. | | | |
| 2 | 544204-001 | Knife (movable) Lever Hing Stud Screw | | | |
| 3 | 410310 | Knife (movable) Lever Hing Stud | | | |
| 5 | 410308 | Knife (movable) Holder Collar Comp. | | | |
| 6 | 544203-001 | Knife (movable) Holder Coller Set Screw | | | |
| 8 | 544407 | Knife (movable) Screw | | | |
| 9 | 412585 | Knife (movable) | | | |
| 10 | 412586 | Knife (movable) Holder | | | |
| 13 | 412584 | Knife (movable) Comp. | | | |
| 14 | 410307 | Knife (movable) Holder Spring | | | |
| 15 | 376841 | Knife (movable) Lever Comp. | | | |
| 16 | 410312-012 | Knife (movable) Lever Driving Arm Comp. | | | |
| 18 | 410316 | Knife (movable) Forked Lever Stud Bushing | | | |
| 19 | 544204-001 | Knife (movable) Forked Lever Stud Bushing Set Screw | | | |
| 20 | 410317 | Knife (movable) Forked Lever comp. | | | |
| 21 | 544204-001 | Knife (movable) Forked Lever Screw(2) | | | |
| 22 | 410296 | Knife (stationary) Holder | | | |
| 23 | 544207-011 | Knife (stationary) Holder Screw(2) | | | |
| 24 | 412749 | Knife (stationary) | | | |
| 25 | 410297 | Knife (stationary) Clamping Plate | | | |
| 26 | 544256 | Knife (stationary) Clamping Plate Screw | | | |
| 27 | 370226 | Knife (stationary) Comp. | | | |
| 30 | 545180 | Needle Guard Set Screw(2) | | | |
| 31 | 410489 | Knife (stationary) Holder Positioning Plate | | | |
| 32 | 544211-002 | Knife (stationary) Holder Positioning Plate Screw | | | |
| 33 | 376628 | Needle Guard Bracket for Overedge Needle | | | |
| 34 | 544211-051 | Needle Guard Bracket for Overedge Needle Screw (2) | | | |
| 35 | 376625 | Needle Guard for Overedge Needle (front) | | | |
| 36 | 545180 | Needle Guard for Overedge Needle (front) Screw (2) | | | |

From the library of: Diamond Needle Corp



| PART NO. | DESCRIPTION | PART NO. | DESCRIPTION |
|---------------|---|---------------|---|
| 2 410380 | Feed Crank Pin Center (small) | 41 410370 | Feed Regulator Stud Bushing |
| 3 376795 | Feed Crank Pin Center (large) | 42 544204-001 | Feed Regulator Stud Bushing Set Screw |
| 4 544204-001 | Feed Crank Pin Center Screw(2) | 43 410409 | Feed Regulator Stud Collar Comp. |
| 5 410381 | Feed Crank Pin | 44 504007 | Feed Regulator Stud Collar Screw |
| 6 543801-008 | Feed Crank Pin Retaining Ring | 45 543801-007 | Feed Crank Eccentric Pin Retaining Ring |
| 7 410382 | Feed Crank Eccentric Pin Comp. | 47 412694 | Throat Plate Position Screw |
| 10 410387 | Feed Lifting Cam Slide Block | | |
| 11 543818-010 | Feed Lifting Cam Slide Block Retaining Ring | | |
| 12 410385 | Feed Lifting Cam Comp. | | |
| 13 544204-001 | Feed Lifting Cam Set Screw(2) | | |
| 14 410384 | Feed Lifting Cam Comp. | | |
| 15 412730 | Throat Plate | | |
| 16 504050-851 | Throat Plate Screw | | |
| 19 376852 | Feed Regulator Crank Rod Comp. | | |
| 20 544204-001 | Feed Crank Eccentric Pin Screw | | |
| 21 410363 | Feed Crank Rod Pin | | |
| 24 543801-006 | Feed Crank Rod Pin Retaining Ring | | |
| 25 410360 | Feed Cam Comp. | | |
| 26 544203-001 | Feed Cam Screw(2) | | |
| 27 410362 | Feed Crank Rod | | |
| 28 543802-014 | Feed Cam Retaining Ring | | |
| 30 376850 | Feed Regulator Crank Rod Comp. | | |
| 31 410376 | Feed Regulator Dial Spring Bracket | | |
| 32 410377 | Feed Regulator Dial Spring | | |
| 33 544212-001 | Feed Regulator Dial Spring Screw | | |
| 34 410375 | Feed Regulator Dial Spring Bracket Comp. | | |
| 35 544213-001 | Feed Regulator Dial Spring Bracket Screw | | |
| 38 412788-003 | Feed Regulator Dial Comp. | | |

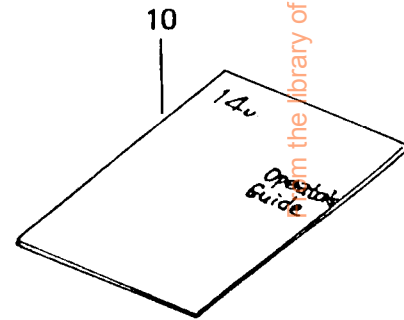
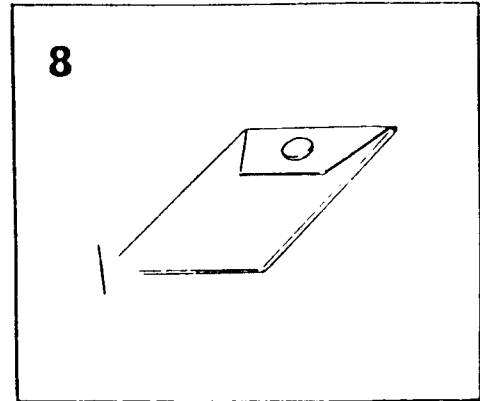
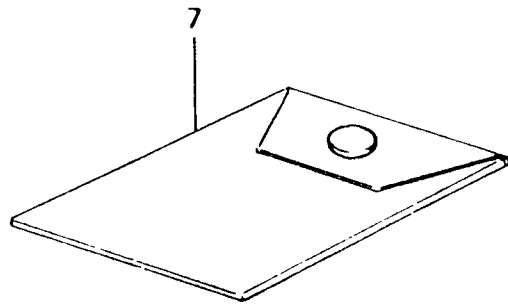
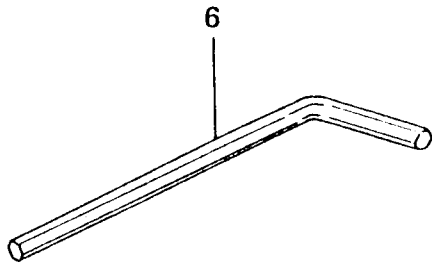
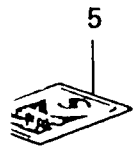
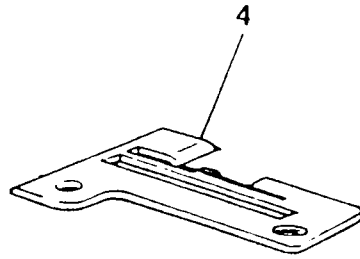
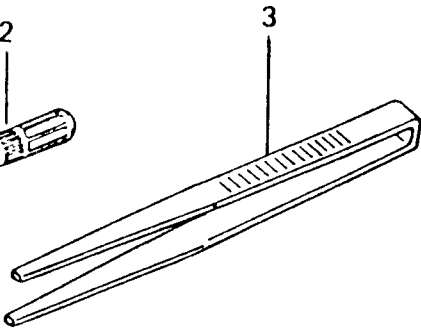
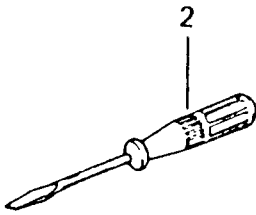
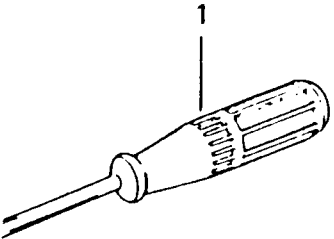
From the library of: Diamond Needle Corp



| | PART NO. | DESCRIPTION | | PART NO. | DESCRIPTION |
|----|------------|--------------------------------------|----|------------|--------------------------|
| 1 | 419087 | Switch,Transformer,Lamp Holder Comp. | 38 | 542766-001 | Cord Holder |
| 2 | 549324 | Transformer Screw(2) | 39 | 544039 | Cord Holder Screw(upper) |
| 3 | 543805-002 | Transformer Spring Washer(2) | | | |
| 4 | 412752 | Transformer Bracket | | | |
| 5 | 544212-001 | Transformer Bracket Screw(2) | | | |
| 6 | 544212-001 | Lamp Holder Bracket Screw(2) | | | |
| 8 | 419088 | Lamp | | | |
| 10 | 419375-002 | Motor Comp. (for UL/CSA) | | | |
| 12 | 544259 | Motor Bracket Clamping Screw | | | |
| 13 | 543805-005 | Motor Bracket Clamping Screw Washer | | | |
| 14 | 410252 | Rotating Shaft Bushing (left) | | | |
| 17 | 410470 | Rotating Shaft Collar Comp. | | | |
| 18 | 544204-001 | Rotating Shaft Collar Set Screw(2) | | | |
| 19 | 408730 | Rotating Shaft Thrust Washer(2) | | | |
| 20 | 410253 | Rotating Shaft Bushing (right) | | | |
| 22 | 376816 | Rotating Shaft | | | |
| 23 | 543801-010 | Rotating Shaft Retaining Ring | | | |
| 25 | 543809-004 | Rotating Shaft Spring Pin | | | |
| 26 | 376808 | Rotating Shaft Comp. | | | |
| 27 | 410268-002 | Pulley | | | |
| 28 | 543848 | Pulley Set Screw Washer | | | |
| 29 | 544270-001 | Pulley Set Screw | | | |
| 30 | 412721 | Motor Belt | | | |
| 31 | 419115-002 | Controller Comp. (for UL/CSA) | | | |
| 32 | 542766-001 | Cord Holder | | | |
| 33 | 544212-001 | Cord Holder Screw | | | |
| 34 | 412737 | Cord Clamping Plate | | | |
| 35 | 544212-001 | Cord Clamping Plate Screw | | | |
| 36 | 544212-001 | Switch Bracket Screw(2) | | | |
| 37 | 419376-908 | Electrical Data Plate (for UL/CSA) | | | |

From the library of: Diamond Needle Corp

8

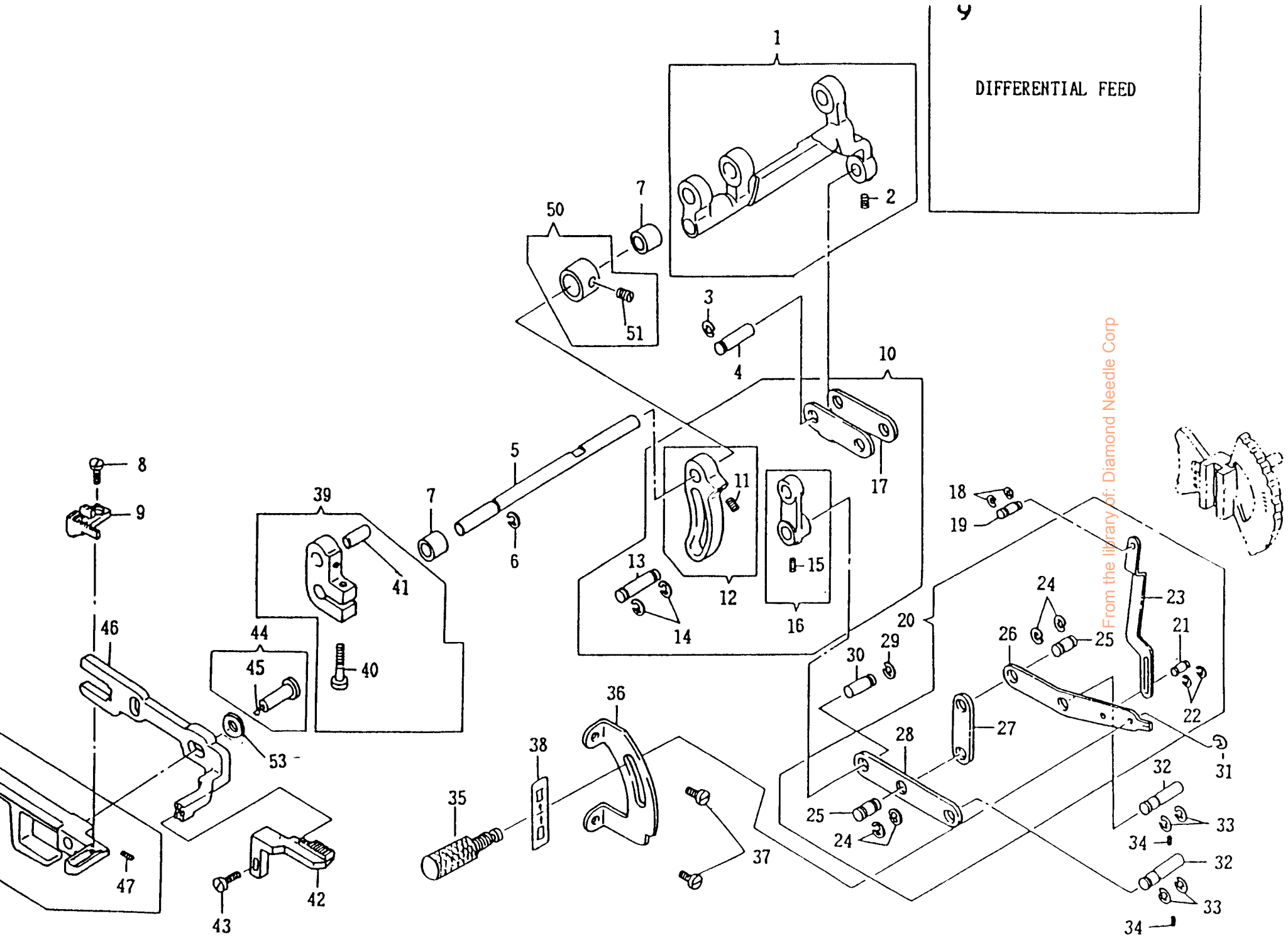


from the library of: Diamond Needle Corp

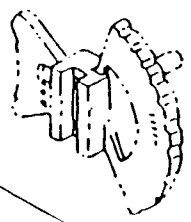
| | PART NO. | DESCRIPTION | | PART NO. | DESCRIPTION |
|----|-------------|-------------------------------------|--|----------|-------------|
| 1 | 541513 | Driver (large) | | | |
| 2 | 541514 | Driver (small) | | | |
| 3 | 376853 | Tweezers | | | |
| 4 | 412784 | Throat Plate Comp. (for Rolled Hem) | | | |
| 5 | N2054-42-14 | Needle (#14) (2) | | | |
| 6 | 543066 | Hexagon Wrench Key | | | |
| 7 | 541597 | Accessory Pack | | | |
| 8 | 370229 | Accessory Set | | | |
| 10 | 379307-002 | Operator's Guide | | | |

From the library of: Diamond Needle Corp

DIFFERENTIAL FEED



From the library of: Diamond Needle Corp



| PARTS NO. | | DESCRIPTION | PARTS NO. | | DESCRIPTION |
|-----------|------------|--|-----------|------------|--|
| 1 | 412618 | Differential Feed Crank Comp. | 39 | 376518 | Differential Feed Arm Comp. |
| 2 | 544204-001 | Differential Feed Crank Stud Screw | 40 | 544212-055 | Differential Feed Arm Clamping Screw |
| 3 | 543801-006 | Differential Feed Crank Stud Retaining Ring | 41 | 412634 | Auxiliary Feed Bar Driving Pin |
| 4 | 412620 | Differential Feed Crank Stud | 42 | 376522 | Auxiliary Feed Dog |
| 5 | 412628 | Differential Feed Shaft | 43 | 544490 | Auxiliary Feed Dog Screw |
| 6 | 543801-006 | Differential Feed Shaft Retaining Ring | 44 | 410266 | Auxiliary Feed Bar Guide Pin Comp. |
| 7 | 410324 | Differential Feed Shaft Bushing (2) | 45 | 410422 | Auxiliary Feed Bar Guide Pin Wick |
| 8 | 544103 | Main Feed Dog Screw | 46 | 412648 | Auxiliary Feed Bar |
| 9 | 376521 | Main Feed Dog | 47 | 544203-001 | Auxiliary Feed Bar Guide Pin Screw |
| 10 | 412621 | Differential Feed Crank Rod Comp. | 48 | 544204-001 | Feed Crank Pin Screw |
| 11 | 544204-001 | Differential Feed Adjusting Arm Screw | 49 | 412646 | Main Feed Bar Comp. |
| 12 | 412623 | Differential Feed Adjusting Arm Comp. | 50 | 375390 | Differential Feed Shaft Collar Comp. |
| 13 | 412627 | Differential Feed Crank Rod Stud | 51 | 544203-001 | Differential Feed Shaft Collar Screw |
| 14 | 543801-006 | Differential Feed Crank Rod Stud Retaining Ring (2) | | | |
| 15 | 544203-001 | Differential Feed Adjusting Lever Arm Pin Screw | 53 | 543531 | Auxiliary Feed Bar Guide Pin Thrust Washer |
| 16 | 412625 | Differential Feed Adjusting Lever Arm Comp. | | | |
| 17 | 412622 | Differential Feed Crank Rod | | | |
| 18 | 543801-002 | Differential Feed Safety Plate Stud (upper) Retaining Ring (2) | | | |
| 19 | 412643 | Differential Feed Safety Plate Stud (upper) | | | |
| 20 | 412636 | Differential Feed Adjusting Lever Comp. | | | |
| 21 | 412642 | Differential Feed Safety Plate Stud (lower) | | | |
| 22 | 543801-002 | Differential Feed Safety Plate Stud (lower) Retaining Ring (2) | | | |
| 23 | 412641 | Differential Feed Safety Plate | | | |
| 24 | 543801-006 | Differential Feed Adjusting Lever Pin Retaining Ring (4) | | | |
| 25 | 412638 | Differential Feed Adjusting Lever Pin (2) | | | |
| 26 | 412640 | Differential Feed Adjusting Lever (upper) | | | |
| 27 | 412639 | Differential Feed Adjusting Lever Link | | | |
| 28 | 412637 | Differential Feed Adjusting Lever (lower) | | | |
| 29 | 543801-006 | Differential Feed Adjusting Lever Arm Pin Retaining Ring | | | |
| 30 | 412635 | Differential Feed Adjusting Lever Arm Pin | | | |
| 31 | 543860-003 | Differential Feed Knob Screw Retaining Ring | | | |
| 32 | 412644 | Differential Feed Adjusting Lever Stud (2) | | | |
| 33 | 543801-006 | Differential Feed Adjusting Lever Stud Retaining Ring (4) | | | |
| 34 | 544203-001 | Differential Feed Adjusting Lever Stud Screw (2) | | | |
| 35 | 376784 | Differential Feed Knob Screw | | | |
| 36 | 412645 | Differential Feed Adjusting Lever Guide Plate | | | |
| 37 | 544212-001 | Differential Feed Adjusting Lever Guide Plate Screw (2) | | | |
| 38 | 412655-902 | Differential Feed Sticker | | | |

From the library of: Diamond Needle Corp.